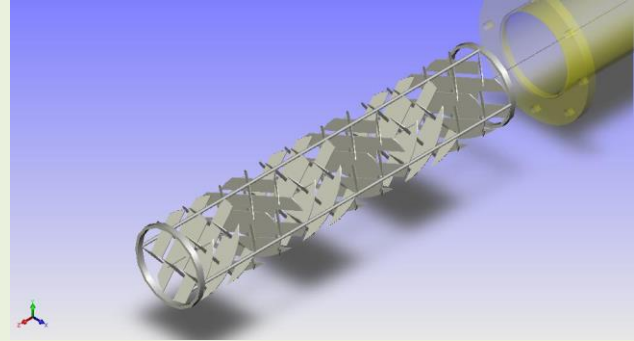
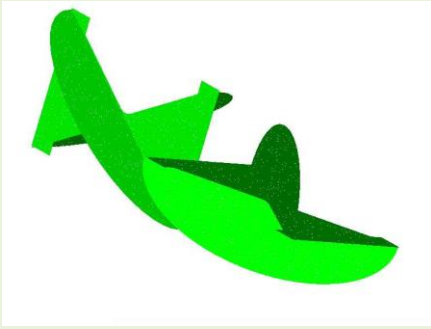
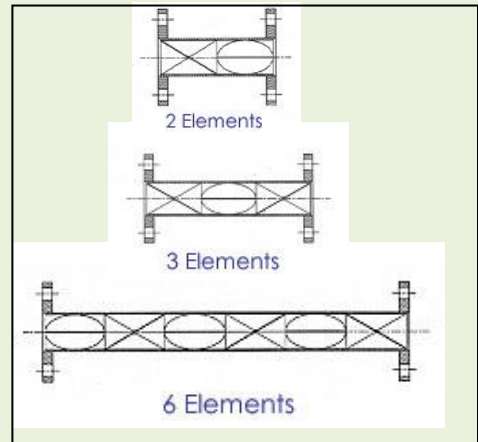


# PELLERMIX Static Mixers



## Standard features

PELLERMIX Static mixers are in line mixing devices with no moving parts. These mixers can produce a homogeneous blend of dispersion in laminar, transitional or turbulent flow within a very short pipe length. PELLERMIX has specially designed mixing elements to ensure the mixers do not have excessive pressure drop in the pipe line. This is achieved through research and development and the use of very accurate manufacturing machinery. The advantages of using static mixers include low capital cost, easy installation, lower maintenance, long service life and low power requirement



## Applications

- Liquid Liquid Mixing
- Gas Liquid Mixing
- Flash Mixing
- Polymer Dilution
- Sulfuric Acid Dilution
- Coagulant Addition
- Neutralization of Oils
- pH Adjustment
- Phosphorous De-gumming
- Flocculation
- Chlorination
- Hydrochloric Acid Dilution
- Ceramic Conditioners Water De-gumming
- Soap Splitting
- De-ionization Plants
- FeCl<sub>3</sub> Addition

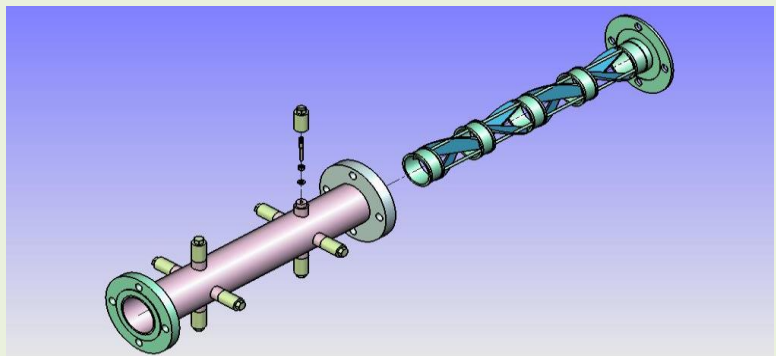
## Type of Elements

**Fixed Elements** are carefully welded to the body of the mixer. For critical conditions welded joints are X-Rayed

**Removable Elements** are mechanically fixed by a series of bolts into the body of the mixer and can be easily remove by the use of a spanner. This system is more suited to systems susceptible to fouling

## Materials of Construction

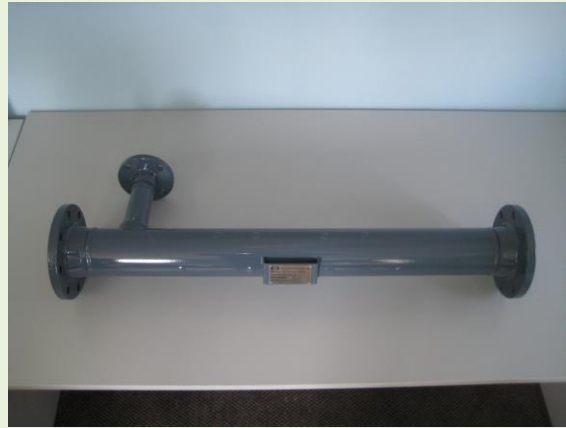
- Carbon Steel
- PVC
- Polypropylene
- Teflon
- Halar Coated Steel
- Stainless Steel AISI 316S
- Ceraflake Coated Steel
- Stainless Steel AISI 304
- Stainless Steel AISI 316L



# PELLERMIX Static Mixers



Biofuels Blending Mixer



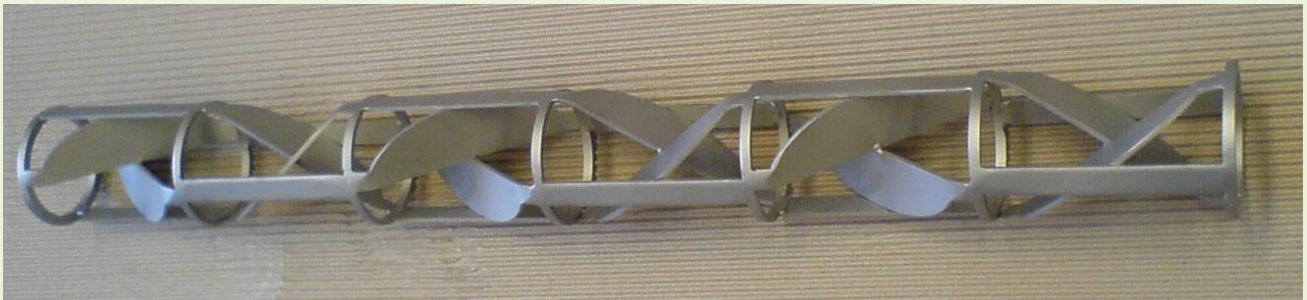
Ethanol Blending



Teflon Element for Sulfuric acid mixing



Flocculation



Removable Element